



“WE MAKE THE KITCHEN BETTER!”

Toll Free: 855-855-0399 Email: info@atosausa.com
www.atosa.com | www.atosausa.com
 California, Colorado, Florida, Georgia, Illinois,
 Massachusetts, New Jersey, Ohio, Texas, Washington

Black Exterior Glass Door Freezer Merchandisers

Standard Features

- Black steel exterior with stainless steel interior
- Maintains temperatures between -8°F – 0°F
- Lighted header panel
- LED interior lighting standard
- Digital controller
- Four(4) shelves standard per section
- Double pane glass door(s)
- Self-closing door(s) with automatic stay open feature
- Recessed door handle
- Door lock(s) standard
- Magnetic door gasket
- Self-contained bottom mount refrigeration system with environmentally friendly R290 refrigerant
- Pre-installed casters
- Pre-installed shelves

Optional Accessories

- Extra shelves – includes 4 shelf clips per shelf
 MCF8720GR - shelf part#: W0402394
 MCF8732GR - shelf part#: W0402197
 MCF8721ES - shelf part#: W0402395
 MCF8728GR - shelf part#: W0402395
 W0402396 (Middle)

For the best results of food preservation we recommend setting your freezer between -8 °F to 0 °F

1. Don't forget to leave the unit some room to breathe!
2. Please clean the condenser frequently to give the unit more fresh air.



2 YEAR PARTS AND LABOR WARRANTY (US ONLY)
 5 YEAR COMPRESSOR PART WARRANTY (US ONLY)

MODELS:

MCF8720GR / MCF8732GR / MCF8721ES / MCF8728GR



MCF8720GR



MCF8728GR



MCF8721ES



MCF8732GR

Model #	Lighted header panel overall dimensions	Lighted header panel visual dimensions
MCF8720GR	26 ^{5/8} ×9	25 ^{1/2} ×8
MCF8732GR	39 ^{1/2} ” x 9 ^{3/10} ”	39 ^{1/10} ” x 9 ^{3/50} ”
MCF8721ES	54×9	53×8
MCF8728GR	81 ^{3/8} ×9	80 ^{1/2} ×8



MCF8721ES



For confirmation and updates on the latest energy star models, please visit energystar.gov



“WE MAKE THE KITCHEN BETTER!”

Toll Free: 855-855-0399 Email: info@atosausa.com

www.atosa.com | www.atosausa.com

California, Colorado, Florida, Georgia, Illinois,

Massachusetts, New Jersey, Ohio, Texas, Washington

SPECIFICATIONS

Models	Door	Capacity (Cu.Ft.)	Shelves	Casters (inch)	Amps (A)	Voltage (V/Hz/Ph)	HP	Refrigerant	Exterior Dimensions (inch)	Net Weight (lbs)	Gross Weight (lbs)
MCF8720GR	1	19.4	4	2	2.1	115/60/1	1/2	R290	27×31 ^{1/2} ×81 ^{1/5}	309	340
MCF8732GR	2	28.5	8	2	8.6	115/60/1	3/4	R290	39 ^{1/2} ×31 ^{1/2} ×81 ^{1/5}	392	443
MCF8721ES	2	43.8	8	2	8.6	115/60/1	3/4	R290	54 ^{2/5} ×31 ^{1/2} ×81 ^{1/5}	498	558
MCF8728GR	3	68	12	2	6.2	208-230V /115/60/1	1	R290	81 ^{9/10} ×31 ^{1/2} ×81 ^{1/5}	673	781

PLAN VIEW

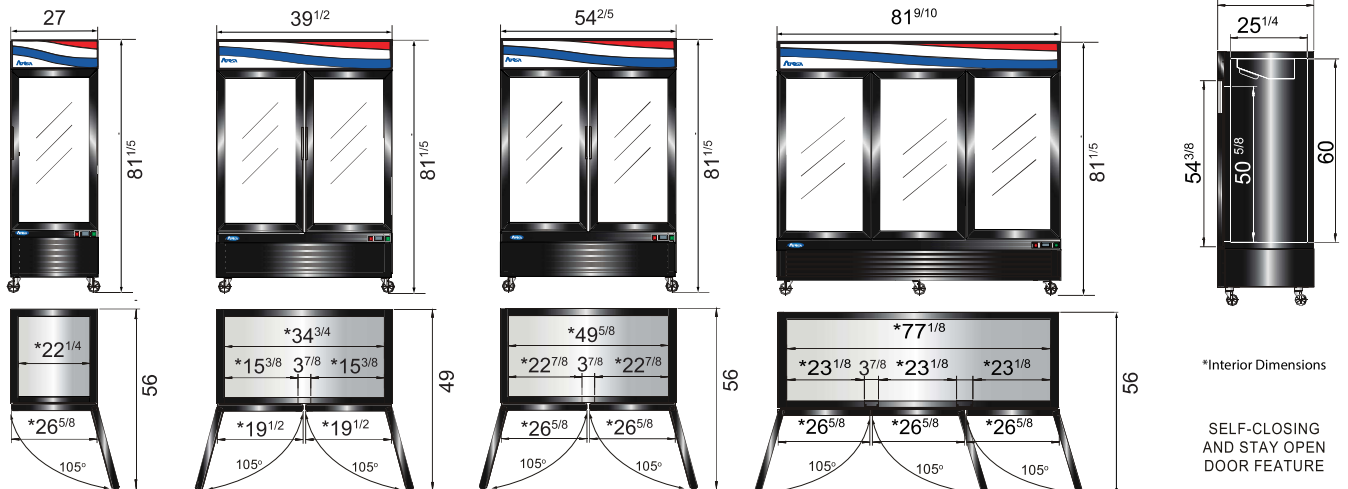
MCF8720GR

MCF8732GR

MCF8721ES

MCF8728GR

Side View



Casters

Temperature control

Door lock

LED lights

Epoxy shelves



MCF8728GR

MCF8720GR
MCF8732GR
MCF8721ES

