



Project \_\_\_\_\_  
 AIA # \_\_\_\_\_ SIS # \_\_\_\_\_  
 Item # \_\_\_\_\_ Quantity \_\_\_\_\_ C.S.I. Section 114000



## MG2032 Mixer-Grinder



### MODELS

- MG2032** Mixer-Grinder, hopper capacity 200 pounds

### STANDARD FEATURES

- + Exclusive WEDGE cylinder ensures full rate feeding for the entire batch
- + 7.5 HP grind motor, 1 HP mix motor
- + 8 foot cord and plug power connection
- + Hand removable and interchangeable seals
- + Counterbalanced lid
- + Double-sealed push button control panel with condensate heater
- + Easy access hopper interior and exterior surfaces
- + 200 pound hopper capacity
- + Side feed option for tandem grinding (right side only)
- + Convenient load and discharge height
- + Double-wall construction for added sanitation

### OPTIONAL FEATURES & ACCESSORIES

- #32 Stay-Sharp knife and plates
- Split level grinding table
- X-frame rolling lug cart
- Side board
- #32 end ring adapter for tandem
- Bulker adapter for Hollymatic
- Pneumatic foot control

### SPECIFIER STATEMENT

Specified unit will be an NSF rated, Hobart mixer-grinder with a 200 pound hopper capacity. Unit has separate mix and grind motor; mix motor is 1 HP and grind motor is 7.5 HP. Features include an exclusive WEDGE cylinder that ensures full rate feeding, hand removable and interchangeable seals, and counterbalanced lid. Double wall construction and double-sealed push button control panel with condensate heater. Unit is able to operate in tandem with optional side feed.

MG2032 MIXER-GRINDER

Approved by \_\_\_\_\_ Date \_\_\_\_\_ Approved by \_\_\_\_\_ Date \_\_\_\_\_



## SOLUTIONS/BENEFITS

### PERFORMANCE

#### Separate Grind and Mix Motors

- + 7.5 HP grind motor, 1 HP mix motor

#### Stay-Sharp Knife and Plates

- + Made from an alloy steel that holds its edge longer than standard carbon steel
- + Can be resharpened many more times than regular plates

#### WEDGE Cylinder

- + Ensures full rate feeding for the entire batch

#### Stainless Steel Finish

- + Easy to clean and exceptionally durable

### EASE OF USE

#### Large Hopper Capacity

- + 200 pound hopper capacity for large loads

#### Easy-Access Hopper Interior and Exterior Surfaces

- + Makes loading and unloading faster and easier

### SANITATION & CLEANING

#### Removable Parts

- + The mixing arm, conveyor screw, cylinder, conveyor screw drive seal and mix arm seal are all removable for easy cleaning

#### Stainless Steel Finish

- + Easy to clean and exceptionally durable

#### Easy-Access Hopper Interior and Exterior Surfaces

- + Makes cleaning interior and exterior easier for the operator

### OPERATOR ASSURANCE

#### Electrical Interlock Switch

- + Power to motor is shut off when hopper lid is opened
- + Hopper lid must be in proper operating position before grinder motors can be started

#### Ergonomically Designed

- + Angled hopper makes it easy for the operator to load product
- + Grinding end located at optimal height for easy unloading
- + Optional pneumatic foot control reduces operator fatigue

## SPECIFICATIONS:

**Motor:** 7.5 HP grind motor, 1 HP mix motor.

**Electrical:** Available in 208/60/3 and 480/60/3.

**Switch:** Electrical controls consist of front-mounted water resistant switches, magnetic contactors, dual-motor overload protection and foot switch operation capability.

**Grinding End:** The mixer-grinder is equipped with a “wedge cylinder” grinding end. This grinding end is sized for #32 knives and plates (not included but optionally available).

**Capacity:** 200 pound hopper capacity. Meat capacity up to 200 pounds depending on the type of product.

**Finish:** Glass bead finished stainless steel hopper, stainless steel panels to enclose the base assembly and motors.



**Optional Equipment:** Hopper side feed inlet (right side only)

**Special Equipment:** When MG2032 is used with tandem side feed, a #32 adapter ring is required in order to connect the machine to another mixer grinder.

**Warranty:** 1-year parts, labor, and travel during normal working hours within the USA.

**Cord and Plug:** 8 foot cord and plug power connection.

### Plugs and Receptacles:

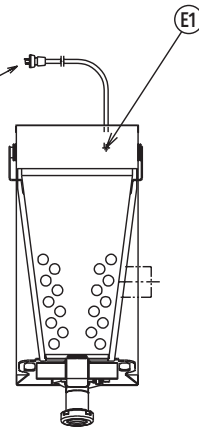
Machine Voltages		
<b>Service Current Requirement if Plug Connected</b>	208/60/3	460/60/3
	20 Amp.	30 Amp.
<b>Terminal Designation of Plug</b>	3 Pole 4 Wire Grounding	3 Pole 4 Wire Grounding
<b>NEMA Plug Configuration</b>	L15-30P	L16-20P
<b>Plug Configuration</b>		
<b>Molded Plug on Cord</b>	No	No
<b>Plug - Straight/Angle</b>	Straight	Straight
<b>NEMA Receptacle or Connector Configuration</b>	L16-20P	L16-20P

### DETAILS AND DIMENSIONS

Voltage	NEMA Configuration		
	Plug	Connector	Receptacle
208/60/3	L15-30P	L15-30R	L15-30R
480/60/3	L16-20P	L16-20R	L16-20R

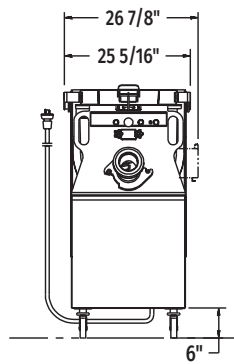
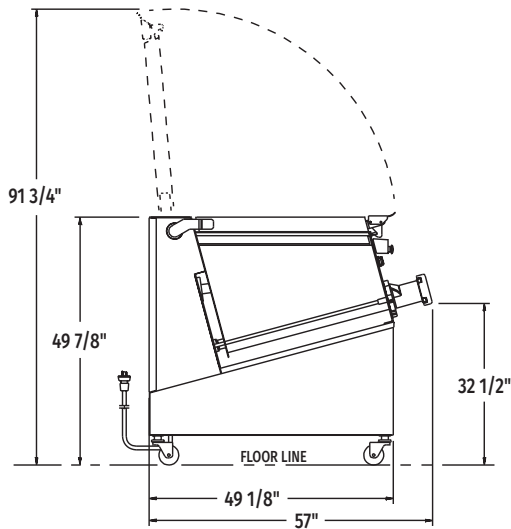
**WARNING:** Electrical and grounding connections must comply with the applicable portions of the National Electrical Code and/or other local electrical codes.

POWER CORD SUPPLIED AS STANDARD (LENGTH APPROX. 8 FT) REQUIRES A WATER TIGHT RECEPTACLE OR CONNECTOR (SELECT BY VOLTAGE-SEE CHART). RECEPTACLE SHALL BE INSTALLED IN A TYPE FD CONDUIT BOX.

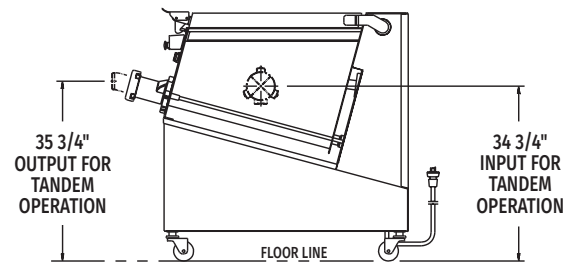


### LEGEND

Electrical Connections	
E1	Electrical connection



ADJUSTABLE CASTERS MAY ADD AN ADDITIONAL 2-1/2" TO ALL HEIGHT DIMENSIONS (SEE NOTE 1)



### SPECIFICATIONS

Grind Motor (H.P.)	7-1/2
Mix Motor (H.P.)	1
Rated Amps @ 208/60/3	30.0
480/60/3	15.0

**NOTES:** May be supplied with casterless feet. Casterless feet to adjust an additional 2".