

REACH-IN BOTTOM-MOUNT SERIES REFRIGERATORS

Features

- CFC free refrigerant and foam insulation
- Electronic thermostat and digital LED temperature display for accurate control and easy reading
- 3 adjustable, heavy-duty epoxy coated wire shelves per door
- Condensate heating element built into condensate pan for efficient evaporation of excess water
- Easy to mount 4" casters (lockable in front) are standard with all units
- Locking doors on all units. IB19R/27R door swing is field reversible
- Self-closing doors that remain open at 90 degrees
- Magnetic gasket can be replaced without any tools
- Exterior: 430 stainless steel
- Interior: 304 stainless steel
- Temperature: 33 to 40°F / 0.5 to 4°C
- R-290 Natural refrigerant
- Electrical: 115/60/1 with NEMA 5-15P plug, 10ft cord



NEMA 5-15P



IB19R



IB27R*



IB54R*



IB81R

Specifications

DESIGNED TO OPERATE IN AMBIENT TEMPERATURES BETWEEN 40F-90F FOR OPTIMUM PERFORMANCE.

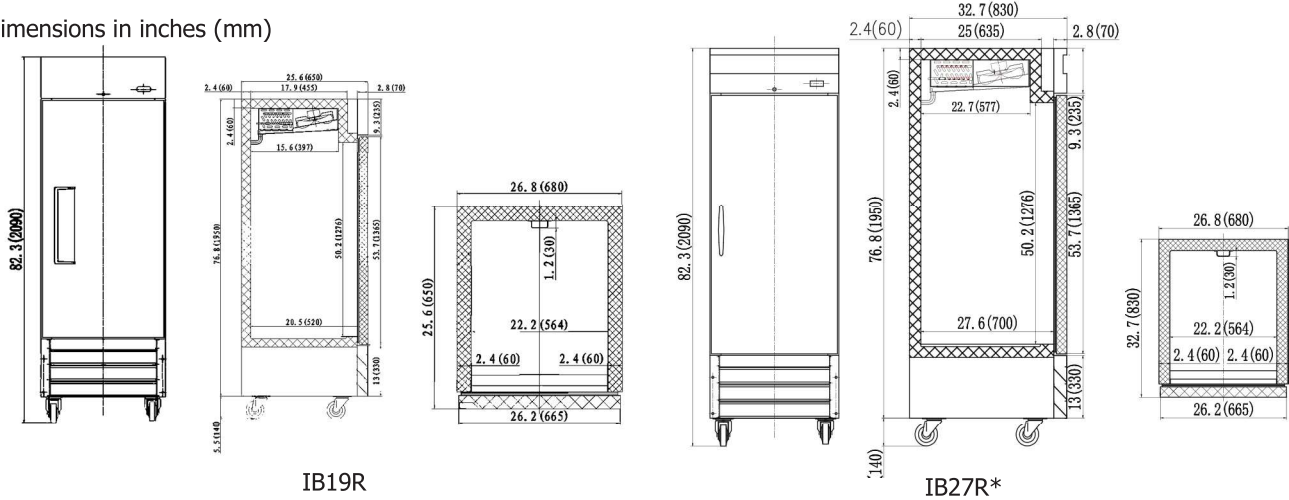


Model	Doors	Ext. Dimensions W X D X H (In)	Int.. Dimensions W X D X H (In)	Amps	H.P	Ship Weight
IB19R	1	26.8 X 25.6 X 82.3	22.2 X 21.5 X 50.2	3	1/5	295 lbs
IB27R*	1	26.8 X 32.7 X 82.3	22.2 X 27.6 X 50.2	3	1/5	307 lbs
IB54R*	2	53.9 X 32.7 X 82.3	49.4 X 27.6 X 50.2	4.5	1/4	490 lbs
IB81R	3	81.0 X 32.7 X 82.3	76.4 X 27.6 X 50.2	7	1/2	598 lbs

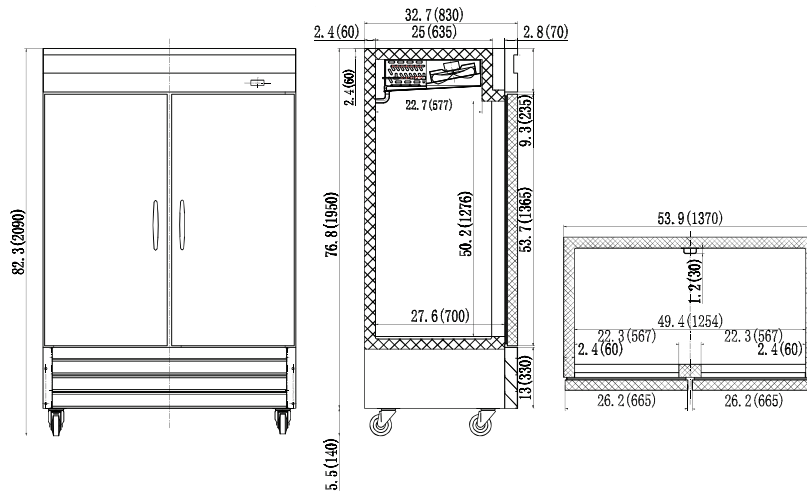
REACH-IN BOTTOM-MOUNT SERIES REFRIGERATORS



Dimensions in inches (mm)



IB54R*



IB81R

