

KG-12-FS MEAT GRINDER

PRO-CUT[®]

SPEC SHEET

www.pro-cut.us

STANDARD FEATURES

- 400+ lbs / hour processing capacity
(1st grinding – 3/8" plate)
- 200+ lbs / hour processing capacity
(2nd grinding – 1/8" plate)
- Compact footprint for limited spaces
- 3/4 HP motor with powerful 21 lbs-ft torque for meat grinding
- Precision engineered steel gear transmission
- Durable food grade stainless steel feed tray and body
- Non slip rubber feet
- Effortless to install and operate



PRODUCT HIGHLIGHTS



Robust stainless steel body and tray



Gear driven body



Included Accessories



Non skid-feet



Compact footprint



1 year parts and labor

KG-12-FS MEAT GRINDER

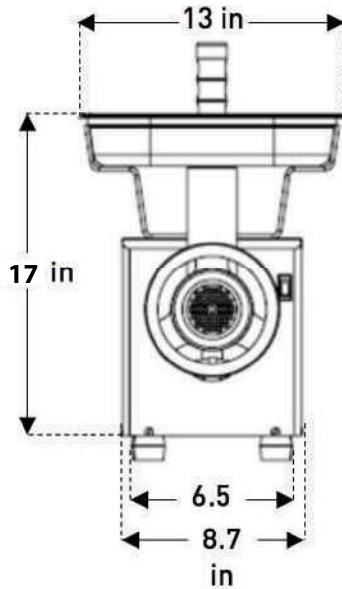
PRO-CUT®

SPEC SHEET

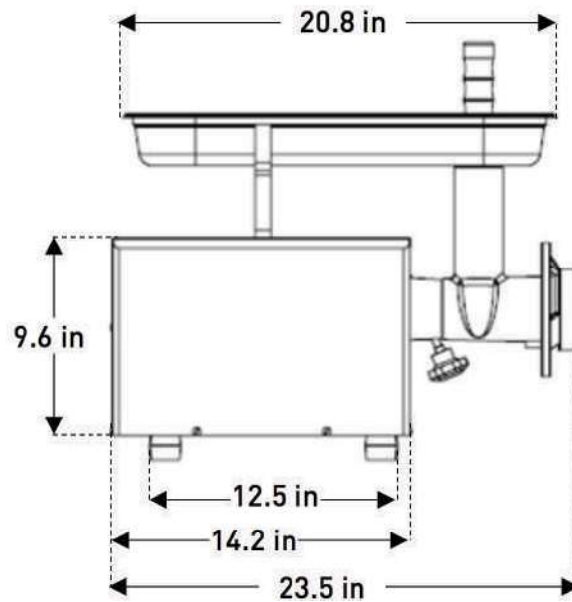
www.pro-cut.us

PLAN VIEW

Front view



Side view



NEMA 5-15P

TECHNICAL DATA

Dimensions

External dimensions	L: 23.5" W: 13" H: 17"
Net weight	79.37 lb (36 kg)
Power cord length	5.9 ft

Construction

Cabinet material	Stainless steel
Tray material	Stainless steel
Headstock	Cast Iron

Logistic data

Max number of SKU per pallet	6
Shipping dimensions per unit	L: 28" W: 14.5" H: 17.5"
Shipping weight per unit	85 lbs
Shipping dimensions full pallet	L: 30" W: 31" H: 40"
Shipping weight full pallet	529 lbs
Freight class	85

Electrical data

Motor	3/4 HP
Volts / Frequency	115 Vac / 60 Hz
Amps	11.5
Watts	550
Phase	1
Type of plug (NEMA)	5-15P

Performance / Capacity

1st grinding capacity (3/8" plate)	7.49 lbs / min
2nd grinding capacity (1/8" plate)	3.97 lbs / min

Accessories

Knives	Plates
NI-12 (Stainless Steel Round)	CI-12-1/4"
NIR-12 (Stainless Steel Rectangular)	CI-12-1/8"
NLV-12 (Long Lasting Steel)	CI-12-3/8"
	CI-12-3/16"

L: Length W: Width H: Height

KG-32 MEAT GRINDER

PRO-CUT[®]

SPEC SHEET

www.pro-cut.us

STANDARD FEATURES

- 3,300+ lbs /hour processing capacity
(1st grinding – 3/8" plate)
- 1,700+ lbs /hour processing capacity
(2nd grinding – 1/8" plate)
- 3 HP motor with powerful 85 lbs-ft torque for meat grinding
- 3 phase electrical connection
- Precision engineered steel gear transmission
- Food grade stainless steel body and feed tray
- Robust headstock with permanent affixed safety guard
- Safety deflector included
- Non slip rubber feet
- Includes motor protector in case of overload



PRODUCT HIGHLIGHTS



Safety deflector



**Powerful
3 HP motor**



**Included
accessories**



**Large stainless
steel feed tray**



**Stainless steel
body**



Motor protector



1 year parts and labor

KG-32

MEAT GRINDER

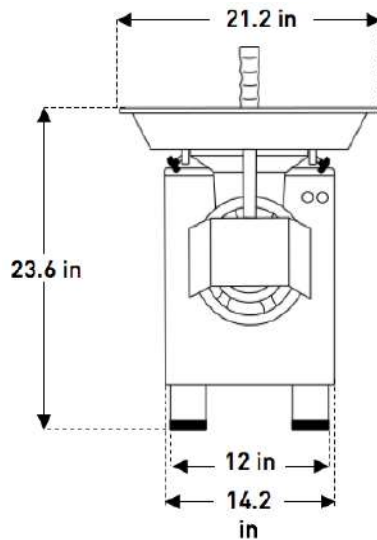
PRO-CUT®

SPEC SHEET

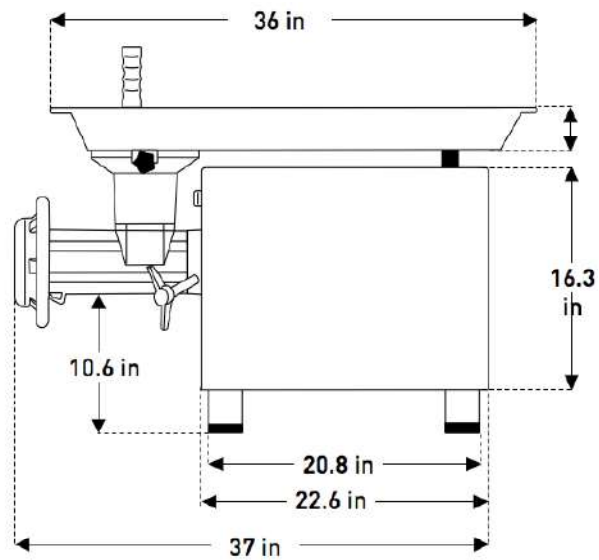
www.pro-cut.us

PLAN VIEW

Front view



Side view



L15-20P

TECHNICAL DATA

Dimensions

External dimensions	L: 37" W: 21.2" H: 23.6"
Net weight	254.63 lb (115.50 kg)
Power cord length	6.56 ft

Construction

Cabinet material	Stainless steel
Tray material	Stainless steel
Headstock	Cast iron

Logistic data

Max number of SKU per pallet	1
Shipping dimensions per unit	L: 44" W: 22" H: 32"
Shipping weight per unit	288 lbs
Shipping dimensions full pallet	L: 44" W: 22" H: 32"
Shipping weight full pallet	288 lbs
Freight class	85

L: Length W: Width H: Height

Electrical data

Motor	3 HP
Volts / Frequency	220 Vac / 60 Hz
Amps	16.7
Watts	2250
Phase	3
Type of plug (NEMA)	L15-20P

Performance / Capacity

1st grinding capacity (3/8" plate)	55 lbs / min
2nd grinding capacity (1/8" plate)	29 lbs / min

Accessories

Knives	Plates
NIR-32 (Stainless Steel Rectangular)	CD-32-1/8"
NLV-32 (Long Lasting Steel)	CD-32-1/8-29"
	CD-32-1/4"
	CD-32-3/16"
	CDH-32-3/16"
	CD-32-3/8"

KG-22-W MEAT GRINDER

PRO-CUT[®]

SPEC SHEET

www.pro-cut.us

STANDARD FEATURES

- 1,700+ lbs /hour processing capacity
(1st grinding – 3/8" plate)
- 800+ lbs /hour processing capacity
(2nd grinding – 1/8" plate)
- 1 HP motor with powerful 28 lbs-ft torque for meat grinding
- Precision engineered steel gear transmission
- Food grade stainless steel body and large feed tray
- Robust headstock with permanent affixed safety guard
- Non slip rubber feet



PRODUCT HIGHLIGHTS



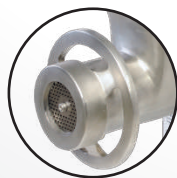
Affixed safety guard



Stainless steel body and tray



Included accessories



High grinding capacity



Non skid-feet



**30.2" x 16.1 x 3.3"
Feed tray**



Intertek

Intertek



1 year parts and labor

KG-22-W MEAT GRINDER

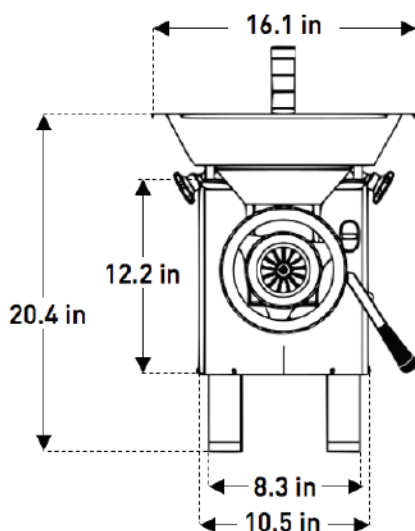
PRO-CUT®

SPEC SHEET

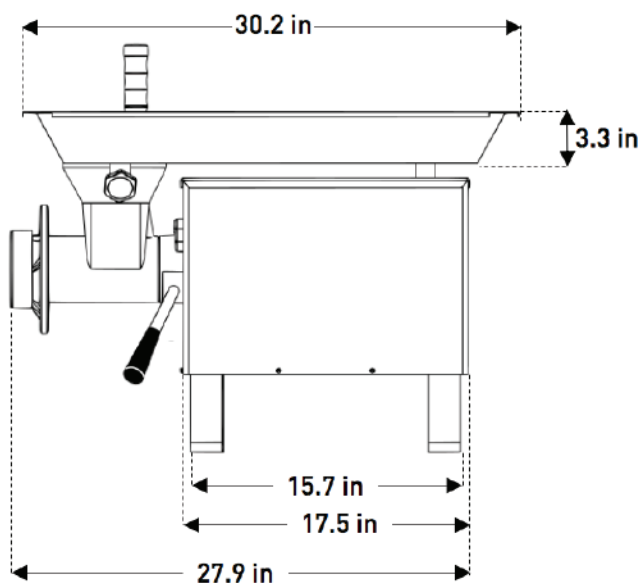
www.pro-cut.us

PLAN VIEW

Front view



Side view



NEMA 5-15P

TECHNICAL DATA

Dimensions

External dimensions	L: 30.2" W: 16.1" H: 20.4"
Net weight	133.38 lb (60.50 kg)
Power cord length	5.9 ft

Construction

Cabinet & Tray	Stainless steel
Headstock	Cast iron

Logistic data

Max number of SKU per pallet	4
Shipping dimensions per unit	L: 32" W: 16.5" H: 27.5"
Shipping weight per unit	166 lbs
Shipping dimensions full pallet	L: 37" W: 36" H: 59"
Shipping weight full pallet	705 lbs
Freight class	85

Electrical data

Motor	1 HP
Volts / Frequency	110 Vac / 60 Hz
Amps	15
Watts	750
Phase	1 PH
Type of plug (NEMA)	5-15P

Performance / Capacity

1st grinding capacity (3/8" plate)	29 lbs / min
2nd grinding capacity (1/8" plate)	14 lbs / min

Accessories

Knives	Plates
NIR-22 (Stainless Steel Rectangular)	CI-22-3/16"
NLV-22 (Long Lasting Steel)	CI-22-1/8"
	CI-22-3/8"
	CI-22-1/4"

L: Length W: Width H: Height